
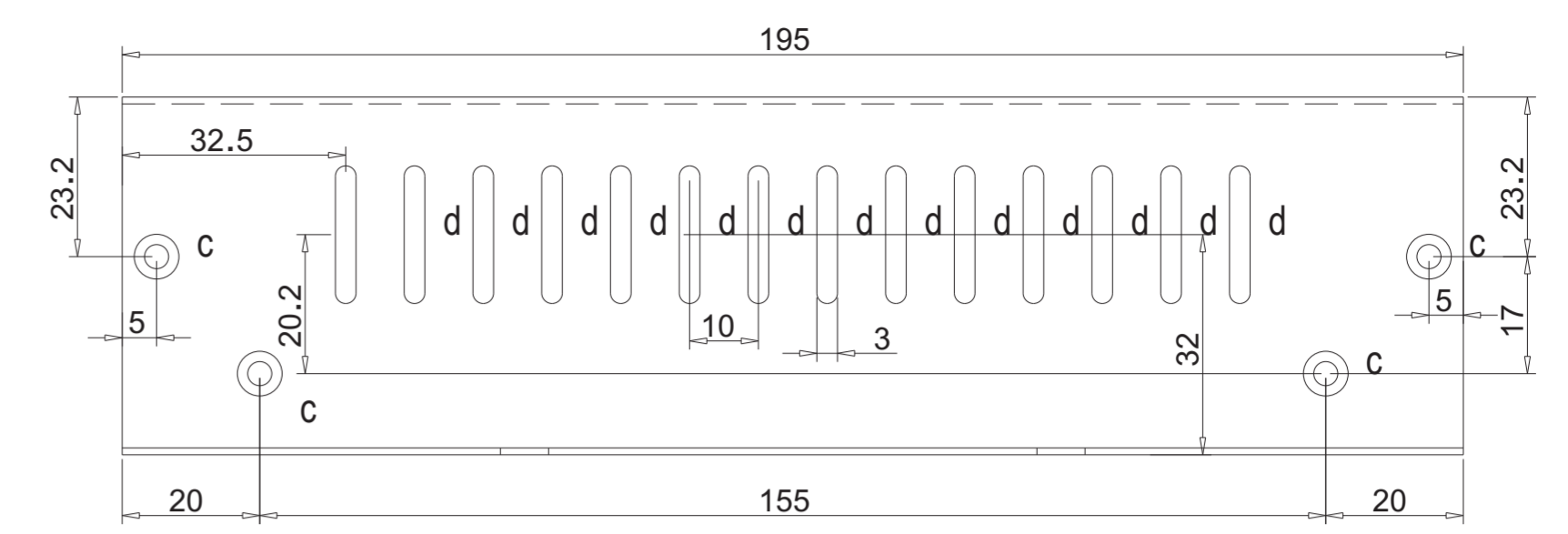
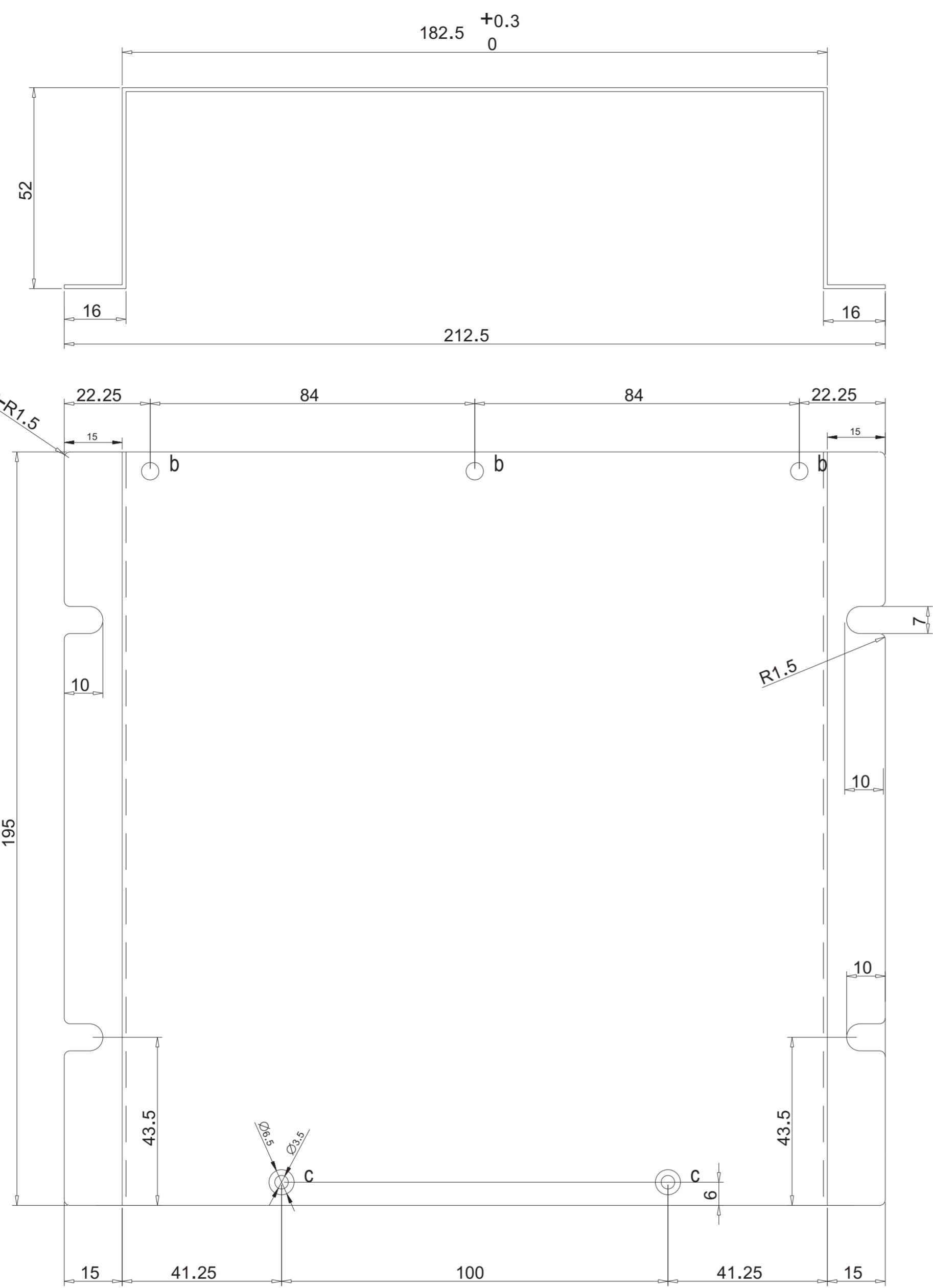


e	3	3.5X6.5
d	2	11.0
c	3	M3*6
b	3	4.50
a	8	M3.0




AKB-160DT PA Amplifier Module
with integrated Dante® Module

AKB_160DT_Dimension Drawings.pdf 25.07.2019 1/2 GR



d	18	3X20 OB
c	11	3.5X6.5
b	3	4.50



AKB-160DT PA Amplifier Module
with integrated Dante® Module

AKB_160DT_Dimension Drawings.pdf	25.07.2019	2/2 GR
----------------------------------	------------	--------